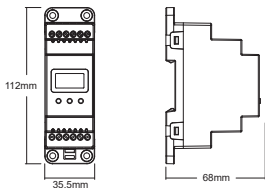


Constant Voltage DMX512 & RDM Decoder

Model No.: D3-T/ D4-T/ D5-T

Features

1. Accord with DMX512 standard protocol.
2. Digital Display, Set DMX initial address through button.
3. Support RDM function.



Parameter

Model No.	D3-T	D4-T	D5-T
Input Voltage	DC12~48V		
Output (A/Channel)	6A	6A	6A
Total Output (max)	18A	20A	
Input Signal	DMX512, RDM		
Connection	Common anode		
Working Temp.	-10~40°C		

Function Settings

1. Digital Display status description

Self-locking: Get into locking state when there is no operation over 30 seconds, digital display with low light or OFF.

Unlock: Long press M button 2 seconds to make digital display with high light, quit self-locking state.

Address always ON: DMX signal valid.

Address flickering: DMX signal invalid.

Err: Short circuit/overcurrent protection; self-recover after 10 seconds.

2. DMX initial address setting

Under unlock status, when digital display show 001-512(for example **001**), Short press ▲ button or ▼ button, you can change the DMX initial address; Long press, you can change it quickly.

For Example: Set Initial address to 100

D3-T	D4-T	D5-T
Occupy 3 address 100-102	Occupy 4 address 100-103	Occupy 5 address 100-104

3. System Parameter Setting Instruction

Under unlock status: Long press **M** button 3 seconds to make digital display show **888** or **880**, then get into system parameter setting. By this time, short press **M** button to switch 4 different parameter setting circularly.

Parameter 1: PWM frequency setting(show **888** or **880**), short press ▲ button or ▼ button to switch.

888 Set to PWM high frequency output, 2000Hz. (Factory default parameter)

880 Set to PWM low frequency output, 500Hz.

Parameter 2: Dimming Curve setting(show **088** or **080**), short press ▲ button or ▼ button to switch.

088 Dimming curve is logarithm dimming. (Factory default parameter)

080 Dimming curve is linear dimming.

Parameter 3: Dimming smoothness setting(show **888** or **880**), short press ▲ button or ▼ button to switch.

888 Smooth dimming. (Factory default setting)

880 Standard dimming.

Parameter 4: Digital display showing setting(show **888** or **888**), short press ▲ button or ▼ button to switch.

888 Under self-locking status, digital display always ON (low lighting showing). (Factory default parameter)

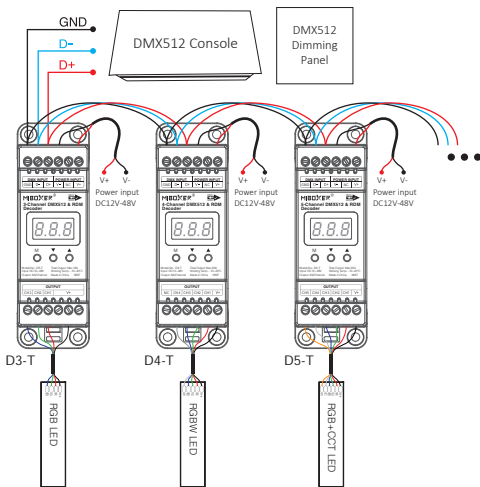
888 Under self-locking status, digital display OFF.

Exit system mode: long press M button 1 second to exit. Or it will be self exit if there is no operation over 8 seconds.

4. Restore factory default.

Under unlock status, long press **M** button 10 seconds until digital display show **888**.

Connection diagram



Attention:

1. If the decoder is over 32 pcs, or using the super long signal cable, you need DMX signal amplifier. Amplify signal cannot be over 5 times.
2. If there is overshoot effect due to the long signal cable or low quality circuit, please connect 0.25W 90-120 terminal resistance at the end of each DMX signal cable.

Attention

1. This product should be debugged and installed by professionals.
2. Please check whether the output voltage of the power supply meets the requirements of the product voltage range.
3. The product is not waterproof, please install it in the waterproof box when installed outdoors.
4. Before switching on the power, please ensure that all wiring is correct, so as not to cause damage to the devices.
5. If fault has occurred, non-professionals do not repair it without permission, otherwise the devices will be damaged.



Made in China